

Passenger car Otto engine for educational purposes

Operable petrol engine with own starter accumulator, petrol tank, cooling- and exhaust system. Control units for the operation, checking instruments and the EOBD connector are mounted on a control panel. With the running engine it is possible to demonstrate every kind of real diagnostic examination. The mobile demonstration equipment is mounted with protective cover.



Diagnostic possibilities

- Emission measurement
- Computer based engine diagnostics
- Read out and deletion of error codes
- Inspection of actuation, operation
- EOBD diagnostics
- Measurements by oscilloscope and multimeter
- Compression measurement
- Measurement of pressure loss
- Pressure measurement of the cooling system

Requirement for installation

- Ventilation of the measurement area
- Exhaust gas extraction
- Exhaust system cooling
- Noise protection
- Fuel supply



Control panel



Engine compartment

Standard equipment

- Petrol driven passenger car engine
- Drive train up to the flywheel
- Complete exhaust system with catalyst
- Instrument panel
- Manual throttle control
- Movable main frame by forklift
- Convertible / removable protective cover for measurement
- EOBD connector
- Starter accumulator
- Electronic main switch

Accessories

- Ventilator unit for external cooling of the exhaust system
- Exhaust gas extraction system

Optional accessories

- Spark plug module with piezo pressure sensor for direct cylinder room pressure measurement
- Diagnostic module: intelligent error generator with error simulation to perform diagnostic tests
- **ENERGOMOTOR-P** load unit with measuring electronics and software
- Consumption measurement module mounted on a separate trolley
- Charger module: trickle charger to ensure the proper voltage level of the starter accumulator

Technical data

Dimensions (W x L x D): 810 x 1210 x 1130 mm
Weight: 400 kg
Corrosion protection: painted
Cover: perforated plate to ensure ventilation
Protection: IP44

Fuel: unleaded 95
Quantity: 20 l

Made in Hungary

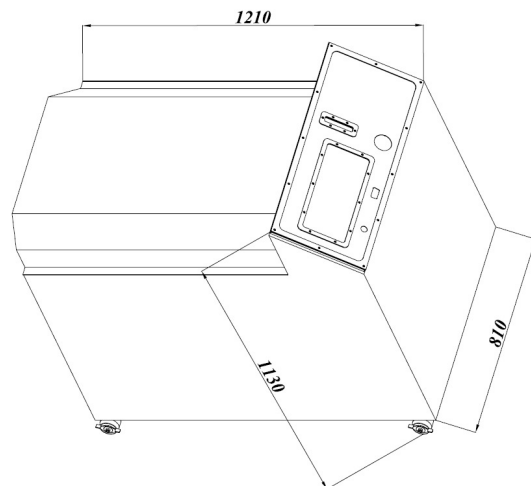
Your Partner:



EOBD / vehicle specific diagnostics



Diagnostic and emission measurement



Dimensions of ENERGOMOTOR-G

Due to constant product improvement Energotest reserves the right to make changes without prior notice. Images may contain optional extras.

www.energotest.eu

✉ H - 2330 Dunaharaszti, Gomba u. 4.
Hungary

☎ +36-24 / 50-11-50 Fax +36-24 / 50-11-70

Technical information: tms@energotest.hu

Sales: export@energotest.hu

Company reg. no.:

13-09-075580

